



**Dropln® Sinks**



**D30D Double Dropln® Sink**

**Dropln Sinks**

The Dropln sink quickly became the industry standard due to the ease of installation and the added safety they bring to the lab.

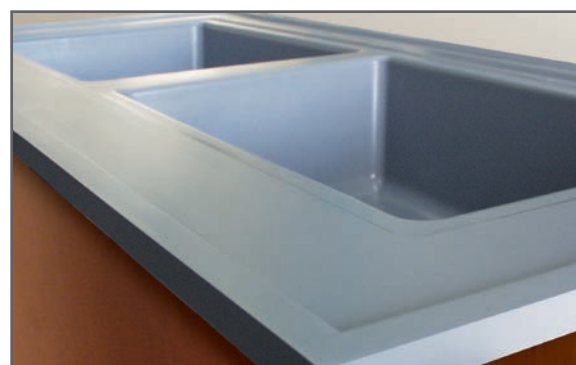
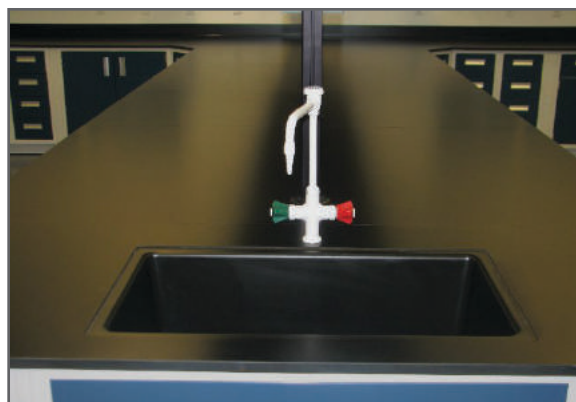
Dropln sinks are top mounted into a recessed cutout eliminating the need for undermount sink support systems. This simplified method of installation seals the sink cutout and eliminates the worksurface overhang between the inner walls of undermount sink basins and the sink cutout which can gather residual chemicals and bacteria. All Dropln Sink surfaces are clearly visible and radiused for ease of cleaning.

**Double Dropln Sinks**

When there is a need for a double-sink configuration, a molded one piece Double Dropln Sink is available or a pair of Dropln sinks can be installed side by side with a 1" worksurface strip between the two installed sinks.

**ADA Sinks**

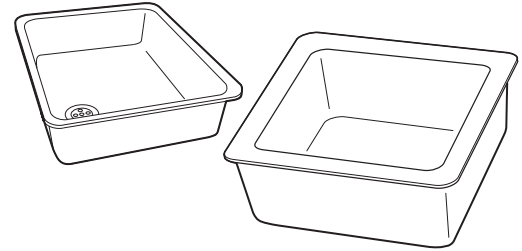
Durcon also offers several shallow basins and graduated depth ADA Dropln Sinks to accommodate lab users with special needs and help conform to Americans with Disabilities Act guidelines.



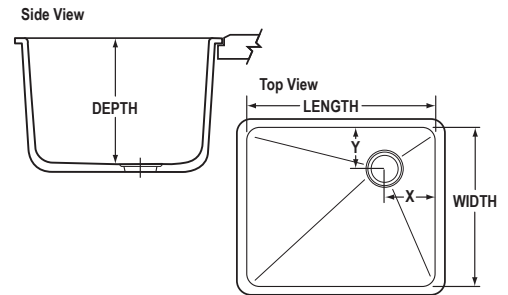
## Standard DropIn® Sink Dimensions

Dimensions (in)						Model No.	Outlet Loc.	Dimensions (mm)					
Inside Dimensions			Outlet Location		Wt. (lb)			Wt. (kg)	Inside Dimensions			Outlet Location	
X	Y	Depth	X	Y					X	Y	Depth	X	Y
9.0	6.0	5.8	4.5	3.0	9	D01C	Center	5	229	152	147	114	76
12.0	8.0	5.8	6.0	4.0	16	D03C	Center	7	305	203	147	152	102
14.0	10.0	5.0	3.5	3.5	18	A05	Corner	8	356	254	127	89	89
14.0	10.0	6.0	3.5	3.5	22	D05	Corner	10	356	254	152	89	89
14.0	10.0	6.0	7.0	5.0	24	D05C	Center	11	356	254	152	178	127
12.0	12.0	12.0	6.0	6.0	34	D06C	Center	15	305	305	305	152	152
14.0	14.0	5.0	3.5	3.5	24	A07	Corner	11	356	356	127	89	89
15.0	8.0	6.0	3.5	3.5	25	D08	Corner	11	381	203	152	89	89
15.0	8.0	10.75	3.5	3.5	25	D09	Corner	11	381	203	273	89	89
16.0	8.0	6.8	4.5	4.0	20	D10E	End	10	406	203	173	114	102
16.0	8.0	6.8	8.0	4.0	22	D10C	Center	10	406	203	173	203	102
16.0	12.0	8.0	3.5	3.5	30	D15	Corner	14	406	305	203	89	89
16.0	12.0	8.0	8.0	6.0	31	D15C	Center	15	406	305	203	203	152
16.0	16.0	9.6	3.5	3.5	42	D19	Corner	20	406	406	244	89	89
16.0	16.0	7.5	3.5	3.5	32	D20	Corner	15	406	406	191	89	89
16.0	16.0	15.0	3.5	3.5	53	D21	Corner	24	406	406	381	89	89
18.0	6.5	6.0	9.0	3.3	30	D22C	Center	14	457	165	152	229	84
18.0	14.0	10.5	9.0	6.8	30	D24C	Center	14	457	356	267	229	173
18.0	15.0	5.0	3.5	3.5	35	A25	Corner	16	457	381	127	89	89
18.0	15.0	2.4	3.5	3.5	37	A25M	Corner	17	457	381	61	89	89
18.0	15.0	5/11	4.5	4.5	39	A26	Corner	18	457	381	127/279	114	114
18.0	15.0	7.9	3.5	3.5	39	D25	Corner	18	457	381	201	89	89
18.0	15.0	10.8	3.5	3.5	50	D30	Corner	23	457	381	274	89	89
18.0	15.0	10.8	9.0	7.5	50	D30C	Center	23	457	381	274	229	191
37.4	15.0	10.8	3.5	3.5	110	D30D	Corner	80	950	381	274	89	89
18.0	15.0	15.1	3.5	3.5	49	D32	Corner	22	457	381	384	89	89
21.0	17.0	9.8	3.5	3.5	59	D33	Corner	27	533	432	248	89	89
21.0	17.0	9.8	4.5	8.5	59	D33E	End	27	533	432	248	114	216
21.5	15.5	11.0	3.5	3.5	64	D45	Corner	29	546	394	279	89	89
24.0	16.0	8.3	3.5	3.5	54	D50	Corner	25	610	406	210	89	89
24.0	16.0	8.0	12.0	8.0	48	D50C	Center	22	610	406	203	305	203
24.0	16.0	9.6	3.5	3.5	60	D51	Corner	27	610	406	244	89	89
24.0	18.0	11.0	3.5	3.5	77	D52	Corner	35	610	457	279	89	89
25.0	15.0	4.8	3.5	3.5	47	A55	Corner	21	635	381	121	89	89
25.0	15.0	8.0	3.5	3.5	45	D54	Corner	20	635	381	203	89	89
25.0	15.0	10.0	3.5	3.5	61	D55	Corner	28	635	381	254	89	89
25.0	15.0	5/11	5.5	4.5	50	A56	Corner	23	635	381	127/279	140	114
25.0	15.0	13.6	3.5	3.5	71	D57	Corner	32	635	381	346	89	89
25.0	15.0	17.8	3.5	3.5	79	D58	Corner	36	635	381	451	89	89
28.0	15.0	12.0	3.5	3.5	74	D59	Corner	34	711	381	305	89	89
30.0	16.0	17.8	4.5	4.5	94	D61	Corner	43	762	406	451	114	114
35.5	19.5	9.8	17.8	9.8	98	D65C	Center	45	902	495	248	451	248
30.0	16.0	10.0	4.8	8.0	120	D68E	End	54	762	406	254	121	203
24.0	16.0	15.5	12.0	8.0	77	D70C	Center	35	610	406	394	305	203

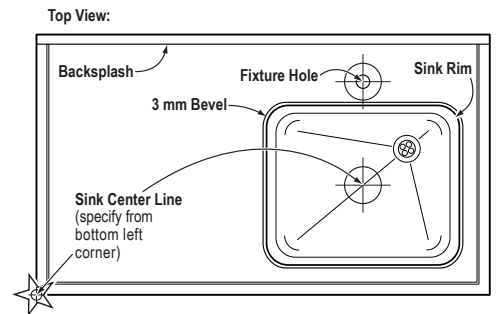
### DropIn® Sink Styles



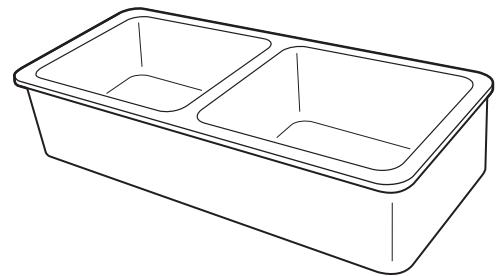
### Dimensions Key



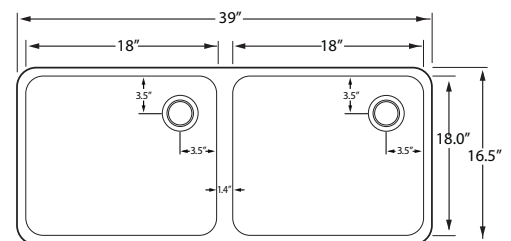
### Installation Detail



### NEW D30D DropIn®



### D30D Dimensions



ADA compliant sinks are designated by this symbol.

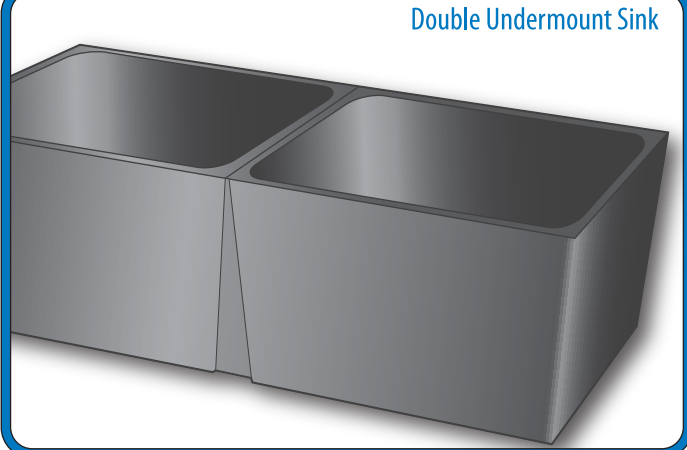
All dimensions are nominal.

Cutsheets available upon request.

Undermount Sink



Double Undermount Sink



### Undermount Sinks

Epoxy resin Undermount Sinks have been installed in laboratories for over 30 years. High chemical resistance, long-term durability and a selection of popular sizes make epoxy resin undermounts the industry standard for this style of sink.

Undermount installation requires an under-sink support system (supplied by others). For safety, consult your casework manufacturer for prescribed installation methods and supplies required for the specified cabinet material.

### Double Undermount Sinks

When there is a need for a double-sink configuration, a pair of undermount sinks can be glued together or the sinks may be installed separately. Several designs are possible such as using different sizes of sinks together.

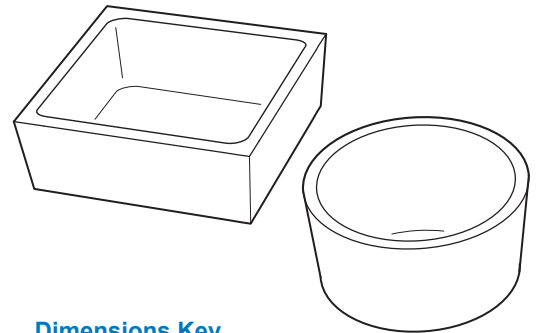


## Standard Undermount Sinks

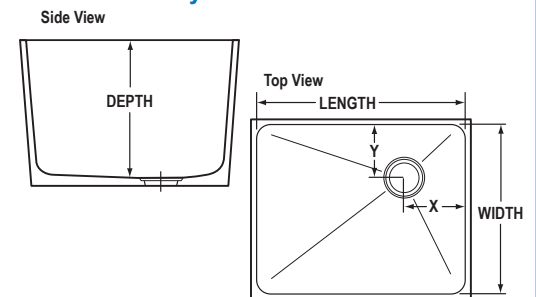
Dimensions (in)						Model No.	Outlet Loc.	Wt. (kg)	Dimensions (mm)					
Inside Dimensions			Outlet Location		Wt. (lb)				Inside Dimensions			Outlet Location		
X	Y	Depth	X	Y					X	Y	Depth	X	Y	
12.0	8.0	6.0	6.0	4.0	17	U03C	Center	8	305	203	152	152	102	
12.0	6.0	7.0	6.0	3.0	18	U04C	Center	8	305	152	178	152	76	
14.0	10.0	6.0	3.5	5.0	22	U05E	End	10	356	254	152	89	127	
14.0	10.0	6.0	7.0	5.0	22	U05C	Center	10	356	254	152	178	127	
12.0	12.0	8.0	6.0	6.0	25	U08C	Center	11	305	305	203	152	152	
16.0	8.0	7.0	8.0	4.0	22	U10C	Center	10	406	203	178	203	102	
16.0	8.0	7.0	3.5	4.0	22	U10E	End	10	406	203	178	89	102	
16.0	12.0	7.8	8.0	6.0	34	U15C	Center	15	406	305	203	203	152	
16.0	12.0	8.0	4.5	6.0	34	U15E	End	15	406	305	203	114	152	
16.0	16.0	7.5	4.0	12.0	39	U20	Corner	18	406	406	191	102	305	
18.0	6.5	6.0	9.0	3.3	22	U22C	Center	10	457	165	152	229	83	
16.0	16.0	12.0	8.0	8.0	54	U23C	Center	24	406	406	305	203	203	
18.0	14.0	10.5	9.0	7.0	38	U24C	Center	17	457	356	267	229	178	
18.0	15.0	8.0	3.5	3.5	40	U25	Corner	18	457	381	203	89	89	
18.0	15.0	11.0	3.5	3.5	49	U30	Corner	22	457	381	279	89	89	
18.0	15.0	11.0	9.0	7.5	49	U30C	Center	22	457	381	279	229	191	
21.0	17.0	10.0	10.6	8.8	64	U33C	Center	29	533	432	254	270	222	
21.0	17.0	10.0	4.5	8.6	64	U33E	End	29	533	432	254	114	218	
21.0	18.0	10.0	4.5	9.0	61	U35E	End	28	533	457	254	114	229	
21.3	15.5	7.0	4.0	4.0	60	U40	Corner	27	541	394	178	102	102	
22.5	10.5	7.4	11.3	5.3	35	U43C	Center	16	572	267	187	286	133	
21.5	15.5	11.0	4.0	4.0	64	U45	Corner	29	546	394	279	102	102	
22.0	14.5	10.6	4.0	3.5	68	U49	Corner	31	559	368	270	102	89	
24.0	16.0	8.0	4.0	8.0	54	U50E	End	24	610	406	203	102	203	
24.0	16.0	8.0	12.0	8.0	54	U50C	Center	24	610	406	203	305	203	
24.0	16.0	10.0	4.5	8.0	59	U51E	End	27	610	406	254	114	203	
23.6	17.6	10.8	4.0	9.0	77	U52E	End	35	599	447	274	102	229	
24.4	18.4	16.8	4.3	9.3	85	U53E	End	39	620	467	427	109	236	
23.0	21.0	19.1	7.0	6.5	95	U54	Corner	43	584	533	486	178	165	
25.0	15.0	10.0	3.5	3.5	60	U55	Corner	27	635	381	254	89	89	
24.0	16.0	12.0	12.0	8.0	76	U56C	Center	34	610	406	305	305	203	
27.8	14.8	8.0	11.5	7.5	56	U58E	End	25	705	375	203	292	191	
28.0	15.0	12.0	11.5	7.5	65	U59E	End	29	711	381	305	292	191	
28.0	20.0	8.8	14.0	6.6	83	U60	Side	38	711	508	222	356	167	
30.0	18.0	18.0	15.0	9.0	108	U61C	Center	49	762	457	457	381	229	
31.0	17.0	10.0	4.0	8.5	75	U63E	End	34	787	432	254	102	216	
31.3	21.3	12.0	15.5	10.5	95	U64C	Center	43	794	540	305	394	267	
35.5	19.6	10.0	17.8	9.8	100	U65C	Center	45	902	497	254	451	248	
36.0	19.7	12.0	17.8	9.8	110	U66C	Center	50	914	500	305	451	248	
36.0	20.0	16.0	18.0	10.0	195	U67C	Center	88	914	508	406	457	254	
43.0	15.0	11.0	21.5	7.5	108	U71C	Center	49	1092	381	279	546	191	
43.3	15.3	16.0	21.7	7.7	179	U72C	Center	81	1100	389	406	550	195	
38.0	21.0	19.1	5.3	5.3	150	U73	Corner	68	965	533	486	133	133	
42.0	20.0	10.0	21.0	10.0	126	U75C	Center	57	1067	508	254	533	254	
48.8	24.6	5.6	4.0	12.2	100	U81E	End	45	1238	625	143	102	309	

Undermount Sinks require a support system supplied by others.

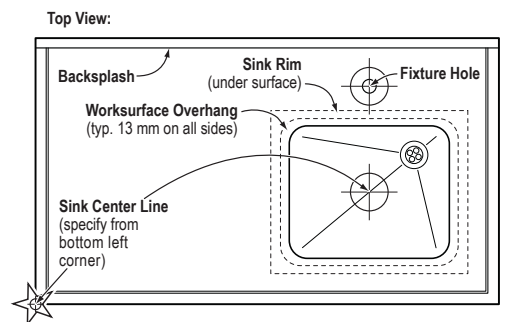
### Undermount Sink Styles



### Dimensions Key

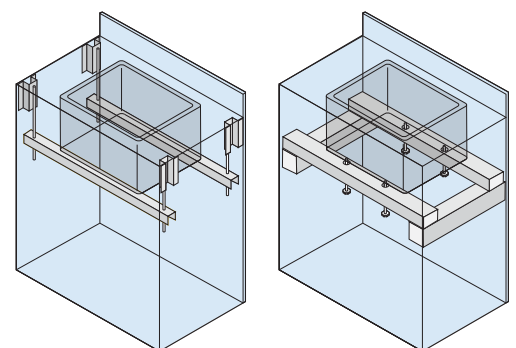


### Installation Detail



### Undermount Installation Techniques

Hardware Supplied by Others

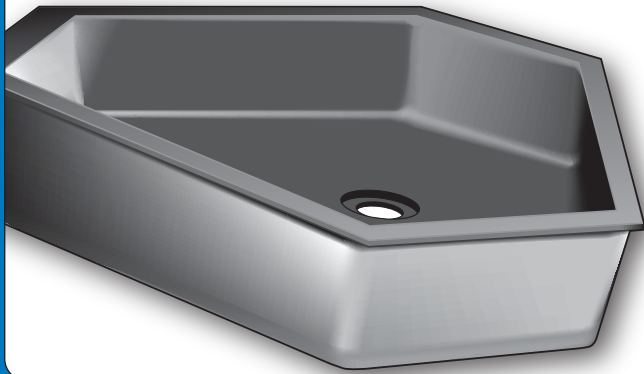


Hanging Support

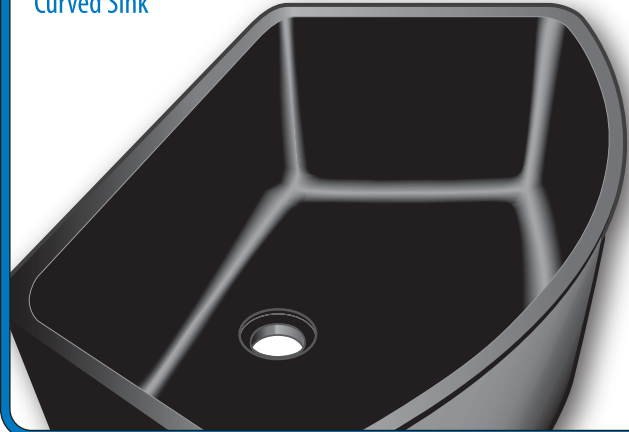
Frame Support



Trifacia Sink



Curved Sink



### Trifacia DropIn Sinks

Trifacia DropIn Sinks are designed for placement in the Trifacia (Hexagonal) Work Surface.

The large Trifacia DropIn Sink basin is ideally suited for student centers. As with all our listed sink sizes, the Trifacia DropIn Sinks are molded as one piece with covered interior corners for easy cleaning and maintenance.

### Round and Elliptical Sinks

These specialty sinks are a functional solution for circular or octagonal worksurface shapes and can add a custom look and feel to laboratory environments. Round and Elliptical Sinks are available in DropIn and Undermount styles and are designed for installation in the center of the work top or at the surface edge to fit the contours of custom shaped tops.

### End and Wall Mount Utility Sinks

End and Wall Sinks are specially designed epoxy resin basins for installation at the end of wall runs, peninsulas and islands to provide liquid disposal and the cleaning of larger items.

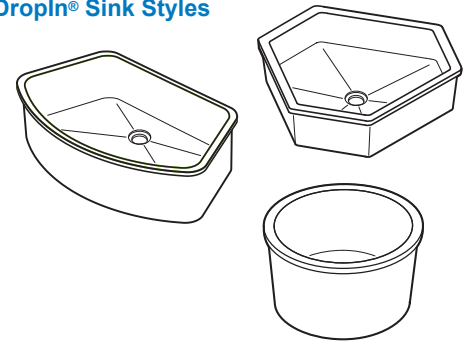
These basins can be fabricated for fixtures or a trough in the integral backsplash. End and wall sinks are commonly mounted onto a wooden or metal frame to bring the basin to the desired height.



## Specialty Dropln® Sinks

Dimensions (in)						Model No.	Outlet Loc.	Dimensions (mm)						
Inside Dims.			Outlet Loc.		Wt. (lb)			Wt. (kg)	Inside Dims.			Outlet Loc.		
X	Y	Depth	X	Y					X	Y	Depth	X	Y	
10.0	Round	7.8	Center		14	DRS10	Center	6	254	Round	198	Center		
12.0	Round	7.8	Center		18	DRS12	Center	8	305	Round	198	Center		
22.5	Hexagon	5.0	Center		29	D100	Center	13	572	Hexagon	127	Center		
30.9	Hexagon	7.0	17.8	9.8	64	D200	End	29	785	Hexagon	178	452	249	
30.0	Hexagon	7.0	Center		82	DH20C	Center	37	762	Hexagon	178	Center		
31.5	Half-Circle	7.0	21.5	7.5	64	D99	Center	26	813	Half-Circle	178	546	191	

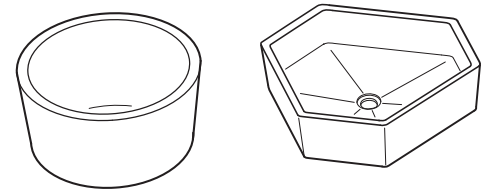
### Dropln® Sink Styles



## Specialty Undermount Sinks

Dimensions (in)						Model No.	Outlet Loc.	Dimensions (mm)						
Inside Dims.			Outlet Loc.		Wt. (lb)			Wt. (kg)	Inside Dims.			Outlet Loc.		
X	Y	Depth	X	Y					X	Y	Depth	X	Y	
11.9	Round	7.5	Center		21	RS05C	Center	10	302	Round	190	Center		
30.0	Hexagon	6.9	Center		82	H20C	Center	37	762	Hexagon	175	Center		

### Undermount Sink Styles

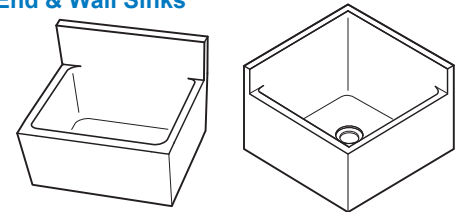


## End & Wall Sinks

Inside Dimensions (in)			Integral Backsplash Height	Wt. (lb)	Model No.	Outlet Loc.	Wt. (kg)	Integral Backsplash Height	Inside Dimensions (mm)		
X	Y	Depth							X	Y	Depth
22.0	13.6	12.6	3.8	70	E46	Center	32	97	559	345	320
22.0	13.6	12.6	5.8	73	E47	Center	33	137	559	345	320

All dimensions are nominal.  
Cutsheets available upon request.

### End & Wall Sinks



## Sink Outlets & Accessories

Dimensions (in)			Part No.	Description	Color Availability					Dimensions (mm)		
Length	Outside Rim Dia.	Inside Outlet Dia.			Black Onyx	Gray	Graphite	Dark Khaki	Tan	White	Length	Outside Rim Dia.
Polypropylene										Polypropylene		
3.0	3.3	1.4	SO3-R	Sink Outlet*	✓	✓	—	—	—	71	84	36
—	1.4	—	USS2	Sink Stopper	✓	—	—	—	—	—	36	—
4, 6, 8, 10	1.4	—	U-OE	Open End Overflow	✓	—	—	—	—	102, 152, 203, 254	36	—
—	1.4	—	O.E.S.	U-OE Strainer Cap	✓	—	—	—	—	—	36	—
Epoxy Resin										Epoxy Resin		
1.4	3.3	3.0	SO3	Sink Outlet*	—	—	✓	✓	✓	36	84	71

\* A plastic disc strainer is included with each sink outlet.

### Outlets & Accessories

