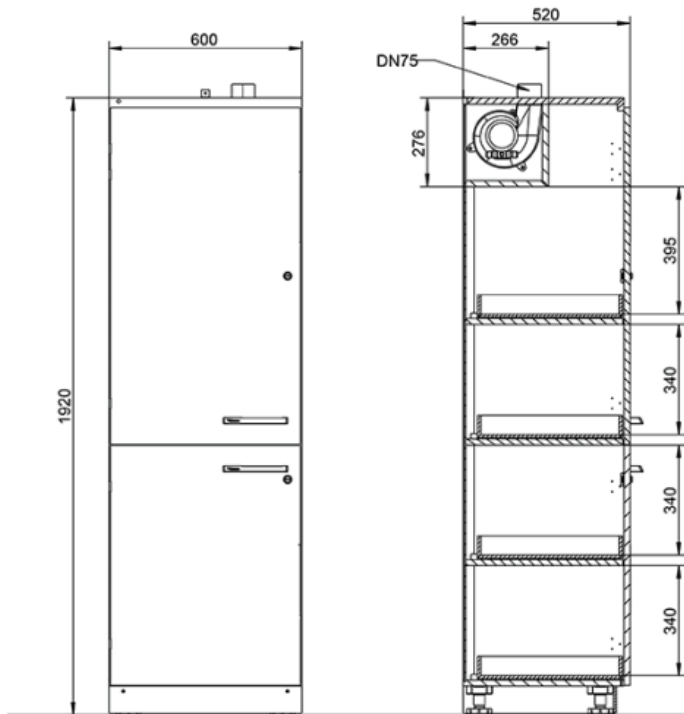


## Protection for your laboratory environment

- ✓ Safe storage of corrosive non-flammable hazardous substances, with acids and bases separated
- ✓ Cabinet carcasses and pull-out trays made of resistant polypropylene
- ✓ Liquid-tight drawers on low-friction PTFE strips with pull-out stop
- ✓ Removal of aggressive vapours by connection to the fume extraction system
- ✓ Corrosion-resistant locks and hinges
- ✓ Ideal for installation under high-performance fume cupboards



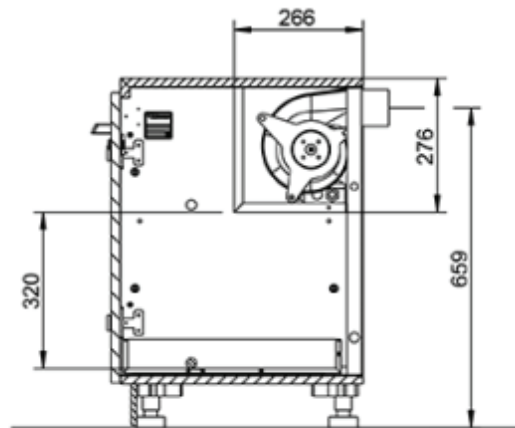
Tall cabinets



	Width			Height	Depth	Pull-outs	
Tall cabinets, 1 door left/right	-	600	-	-	1920	520	4

Dimensions [mm]

Underbench cabinets



	Width						Height	Depth	Pull-outs
	450	600	900	1100	1200	1400			
Underbench cabinets, 1 door left/right	450	600	-	-	-	-	720	520	2
Underbench cabinets, 2 doors	-	-	900	1100	1200	1400	720	520	3 / 4*
Underbench cabinets for cannisters 1 door left/right	450	600	-	-	-	-	720	520	1
Underbench cabinets for cannisters, 2 doors	-	-	900	1100	1200	1400	720	520	3

Dimensions [mm]